

# Flashlamp Driver For High Energy Systems

## PS514x

### FEATURES

- 1 to 10 and more discharging channels with one charging channel
- Output voltage up to 4000 V
- Output voltage regulation better than  $\pm 0.3\%$
- Up to two discharge channels per one 19" case
- LAN, RS232, CAN computer interface options
- USB for software update
- Measuring of discharge current and voltage traces and last shot energy

### APPLICATIONS

- Glass amplifier pumping
- Intense pulsed lighting (IPL)

PS514x series flashlamp drivers are designed for multi-lamp pumping of high energy pump chambers usually based on phosphate or silicate glass rods. This is highly-customizable power supply containing one-channel charging unit PS514xk and required quantity of one or two channel discharging units PS514xi. Each discharging channel is suited to drive one lamp. The PS514x has as many discharge channels as pump chamber has flashlamps. All discharging channels work synchronically. Usually, high energy systems work at very low repetition rate – not exceeding 1 Hz down to 1 shoot per hour. Hence simmer option is not applicable and lamp igniting (triggering) appears with every discharge. We usually recommend external lamp igniting with separate igniting unit (one- or multi-channel). However internal serial igniting is possible in some cases as well.

As standard front and rear panels are powder coated in RAL7035 (Light Grey). RAL7021 (Black Grey) and RAL9002 (Grey White) are possible upon request.

Description of PS514x given here is only as one example of possibilities to built high energy powering system, and any time by ordering it can be flexibly changed. All set of charging and discharging units can be mounted to 19" standard racks (sold separately). More information about Mounting Rack – page 13 (Accessories).

Fig. 2. Set of rack mounted PS5144k and PS5144i units

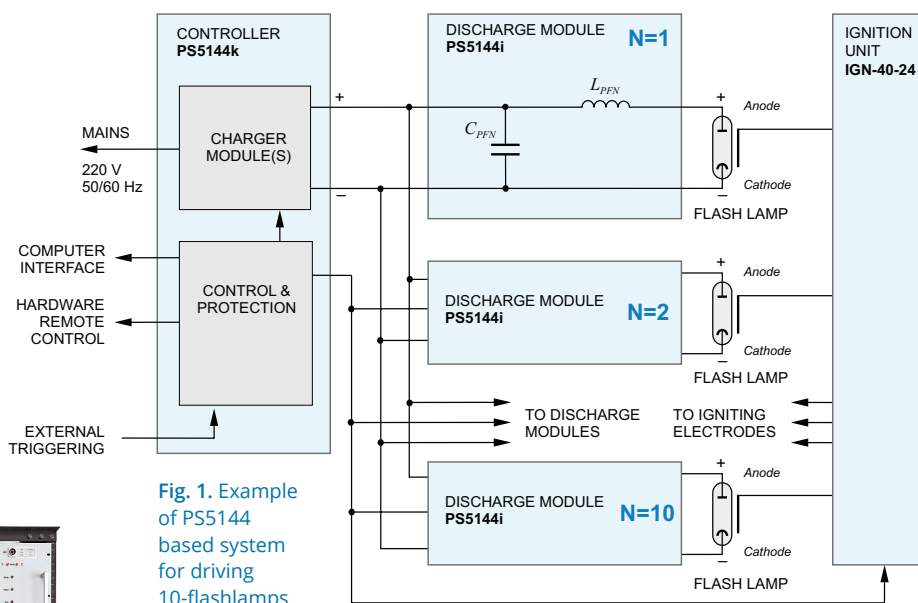


Fig. 1. Example of PS5144 based system for driving 10-flashlamps

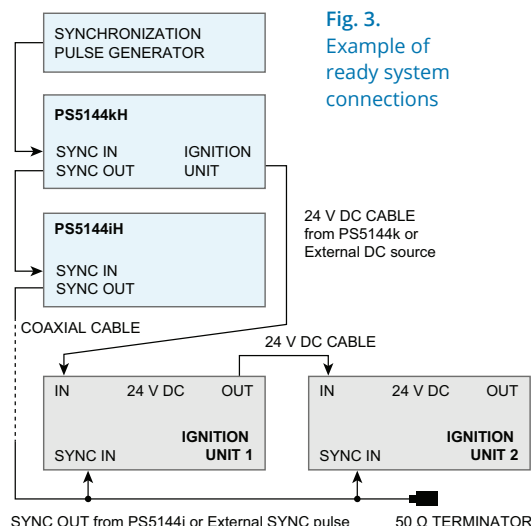


Fig. 3. Example of ready system connections

## GENERAL SPECIFICATIONS

Charging unit		PS5144k
Number of independent outputs		1
Max. average output power $P_{avg}$		0.8; 1.6; 2.4; 3.2 kJ/s (options)
Internal capacitor at output		1 $\mu$ F
Capacitor bank charging voltage $U_{ch}$		4000 V
Load voltage regulation		0.3 %
Pulse to pulse stability		0.3 %
Voltage linearity		0.3 %
Protection features		overvolt, overheat, interlock
Computer interface		LAN / CAN
Triggering mode		external
Mains for options 0.8, 1.6, 2.4 kW of $P_{avg}$		single phase 220V AC (-10%, +15%) 50/60Hz; (L+N) 1F1
Mains for option 3.2 kW of $P_{avg}$		3-phase 400V AC (-15%, +15%) 50/60Hz; star with neutral (L1+L2+L3+N) 3FY or 3-phase 208V AC (-10%, +15%) 50/60Hz. delta or star without neutral (L1+L2+L3) 3FD
Power consumption, average		<1.8; <3.2; <4.5; <5.8 kW (as per options above)
Power consumption, peak		2; 4; 6; 8 kW (as per options above)
Dimensions		19" x 4U front panel, 547(D) x 440(W) mm case
Operation conditions		
Ambient temperature	Storage	from +5 to +50 °C
	Operation	from +15 to +40 °C
Humidity		below 80 % non condensing
Protection class		IP20

Discharging unit		PS5144i
Number of independent outputs		2 (1 as option)
Maximal capacitors bank voltage		4000 V
Maximal capacitors bank capacity @ 3 kV		700 $\mu$ F
Typical repetition rate		<1 Hz
Computer interface		LAN
Triggering mode		Controlled by charging unit
Simmer		N/A
Mains		N/A
Dimensions		19"x6U or 8U front panel, 547(D) x 440(W) mm case
Operation conditions		
Ambient temperature	Storage	from +5 to +50 °C
	Operation	from +15 to +40 °C
Humidity		below 80 % non condensing
Protection class		IP20

### Customized orders

Depending on customer needs, we can produce flashlamp drivers with specific average charging power, output voltage, pulse duration, repetition rate values or/and specific application areas.

## CONFIGURATION EXAMPLES OF PS514X SERIES POWER SUPPLIES

### Capacitor charging units

Model	Charging rate	Maximal voltage	Control interface
PS5144k	1.5 kJ/s	3000 V	CAN, LAN
PS5144kH	3 kJ/s	4000 V	CAN, LAN

### Capacitor discharging units

Model	Number of discharge channels	PFN specifications					Flashlamp recommended
		Capacitance	Inductance	Rated voltage	Maximal stored energy	Pulse duration FWHM	
		$\mu$ F	$\mu$ H	V	J	$\mu$ s	
PS5144i	2	700	40	3000	3150	350	Ø15x200 mm
PS5144iH	2	500	85	4000	4000	430	Ø15x300 mm

### Ignition units

Model	Number of channels	Maximal output voltage for each channel	Supply voltage
IGN-30-24-1	1	9–28 kV	+24 V
IGN-40-24-1-T100	1	>40 kV	+24 V
IGN-40-24-9	9	>40 kV	+24 V
IGN-40-24-14	14	>40 kV	+24 V

More information about the Ignition units – on page 12 Accessories.



MKVANTAS

MINTIES KVANTAS UAB | P.LUKSIO STR. 5-1, 08221 VILNIUS, LITHUANIA | +370 673 74 270 | SALES@MKVANTAS.COM | WWW.MKVANTAS.COM

Minties Kvantas UAB reserves the right to introduce the data changes without prior notice while making the product improvements.